



**NORDLAND
LIGHTING®**



Management System
ISO 9001:2015
www.nlx.com
ID: 818087223



N20LS

OVERVIEW

The N20LS luminaire is a stainless steel fitting designed for non-hazardous corrosive industrial and mining applications. The N20 LED LS is constructed from standard 304 stainless steel and a 4mm tempered

glass lens. This high lumen output 50000 hour LED strip luminaire comes in two sizes and various wattages ranging from 28W to 68W. The N20 LED LS with an IP65/IK08 rating is

designed to be robust and withstand the harshest conditions and is suitable for both indoor and outdoor use. A 6w 1 hour emergency version is available on request.

APPLICATIONS



INDOOR
AREAS



OUTDOOR
AREAS



INDUSTRIAL
ENVIRONMENTS



MINING AND
SURFACE AREAS



OIL AND GAS

INDUSTRIAL • MINING • LINEAR

PERFORMANCE

Size	600mm	600mm	1200mm	1200mm
Wattages	28W	36W	53W	68W
Output Current	350mA	500mA	350mA	500mA
Nominal Lumens	4603lm	5918lm	8713lm	11179lm
System Lumens	3836	4932	7261	9316
System efficacy lm/W	137lm/W	137lm/W	137lm/W	137lm/W
Emergency Operation	6W @ 1hour 822lm EM versions only			

LED AND OPTICS

Optics	120° standard
Expected lifetime	>80000
L70 rating	>80000 @ L70 B10
Colour Rendering Index RA	>80
Colour Temperature	4000K standard, 3000K, 5000K and 6500K available on special request

ELECTRICAL AND OPERATING

Driver	Constant Current, selectable
Operating temperature	-20°C - +40°C
Input voltage/Frequency	220 - 240 VAC \pm 10%, 50/60 Hz
Input Current	350@28W; 500@36W; 350@53W; 500@68W
Power Factor	>0.95
Surge Protection	On request
Other options	Through wired versions available on request

PRODUCT MATERIALS AND INSTALLATION

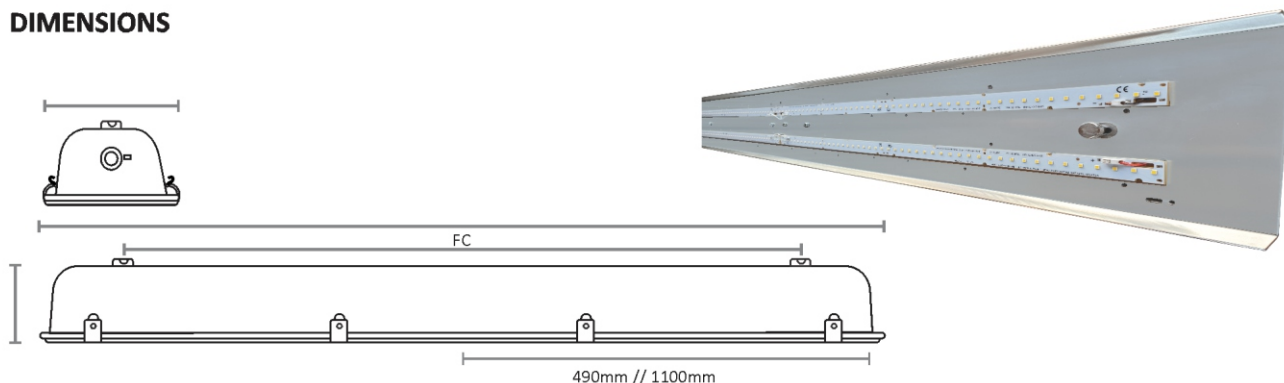
Housing	Grade 304 Stainless steel. Grade 316 Stainless steel available on request
Lens	4mm Clear Tempered Glass.
Gasket	Single extrusion Rubber Silicone cemented onto frame
Finish	Pickled and passivated Stainless Steel
Ingress Protection	IP65
IK Rating	IK08
Mounting Options	Wall, Pole, Ceiling

CERTIFICATIONS. STANDARDS

NON EX

Complies to SANS 60598-1

Complies to SANS 1464-22 (EM Version)

DIMENSIONS**DIMENSIONS AND PACKAGING**

Model	N20LS 2ft	N20LS 4ft
Wattage	28W; 36W	53W; 68W
Dimensions mm (LxWxH)	790x219x135mm	1370x219x135mm
Fixing Centre	490mm	1100mm
Weight Kg (Unit / packaged / gross)	4kg / 4,2kg	7kg / 7,2kg

ACCESSORIES

Pole clamp Bracket
Double entry on request only
Metal Gland on request

PHOTOMETRIC PERFORMANCE:

As photometric data and IES files differ according to the selected optics and wattages, these are available on request

LIGHTING DESIGN SERVICES:

On request we can do lighting design for your application.

Warranty:

Warranty 5 years

52 Fransen str, Chamdor
PO Box 2465
Noordheuwel Ext 4
1756
South Africa

T: 010 442 2809
E: sales@nordland.co.za
W: www.nordland-lighting.com



Nordland reserves the right to change any specification or design without prior notice.

INDUSTRIAL • MINING • LINEAR